

Programmes After Market Services NPC-1 Series Transceivers

Product Variants

Table of Contents

	Page No
Transceiver NPC-1.....	4
Modules and Transceiver Structure	4
Assembly Parts of the Basic Transceiver NPC-1	6
Assembly Parts of NPC-1NB Product Variants (Nokia Design)	8
Assembly Parts of NPC-1NG Product Variants (Gradiente Design)	10
Product Variants	11

List of Figures

	Page No
Fig 1 Exploded view of Basic Transceiver NPC-1	5
Fig 2 Exploded view of NPC-1NB product variants (Nokia Design)	7
Fig 3 Exploded view of NPC-1NG product variants (Gradiente design)	9

Transceiver NPC-1

The NPC-1 transceiver is a TDMA single band (SB), 800 MHz + AMPS hand portable.

NOTE: The Service Manual is intended for use by qualified service personnel only.

Modules and Transceiver Structure

Custom Transceiver

ATO Transceiver

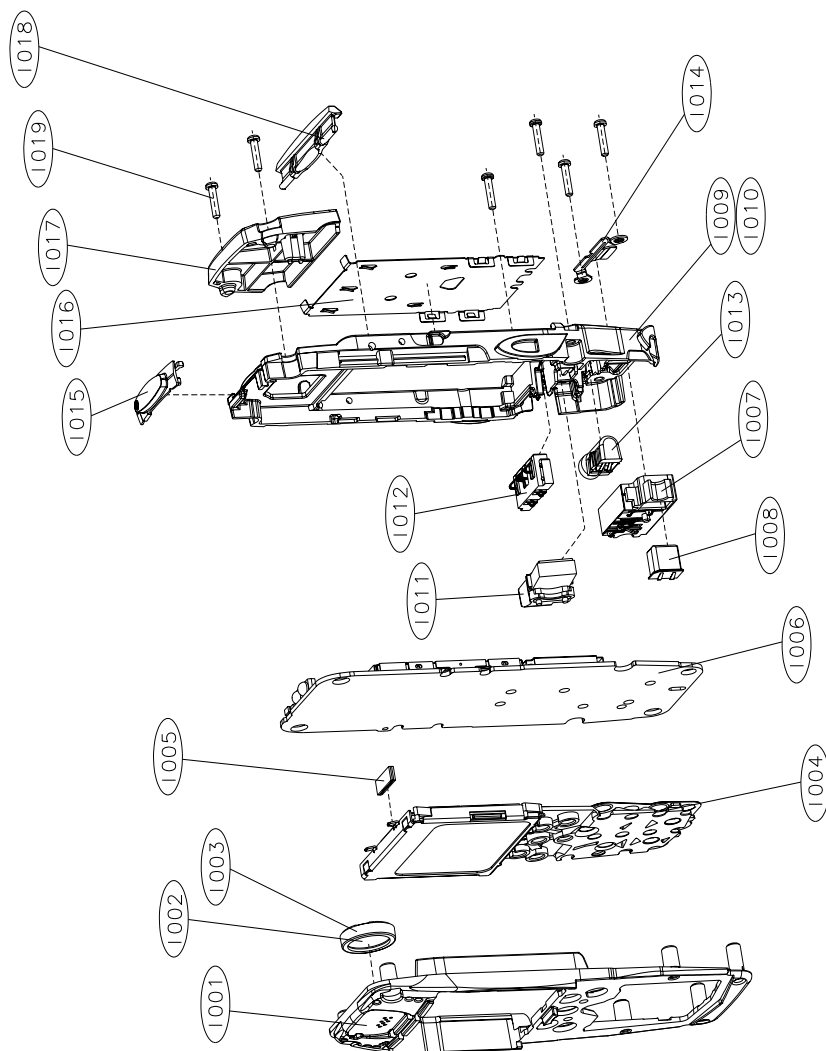
- 1 A-cover
- 2 Keymat
- 3 Co-label, if needed
- 4 Type label
- 5 Software settings
 - CSF-file
 - SW Language package (PPM)

Basic Transceiver NPC-1	0506131
• RF/System Module	0201800
• Mechanics MNPC1	0262389
• Software SW NPC-1	0242181

The Basic Transceiver NPC-1 consists of the System, Mechanics and Software -modules. After FINUI testing, the Basic Transceiver is a tested engine. All NPC-1 product variants are based on the Basic Transceiver.

Note: This is the basic structure of the phone. The Basic Transceiver codes vary according to the manufacturing site.

Figure 1: Exploded view of Basic Transceiver NPC-1



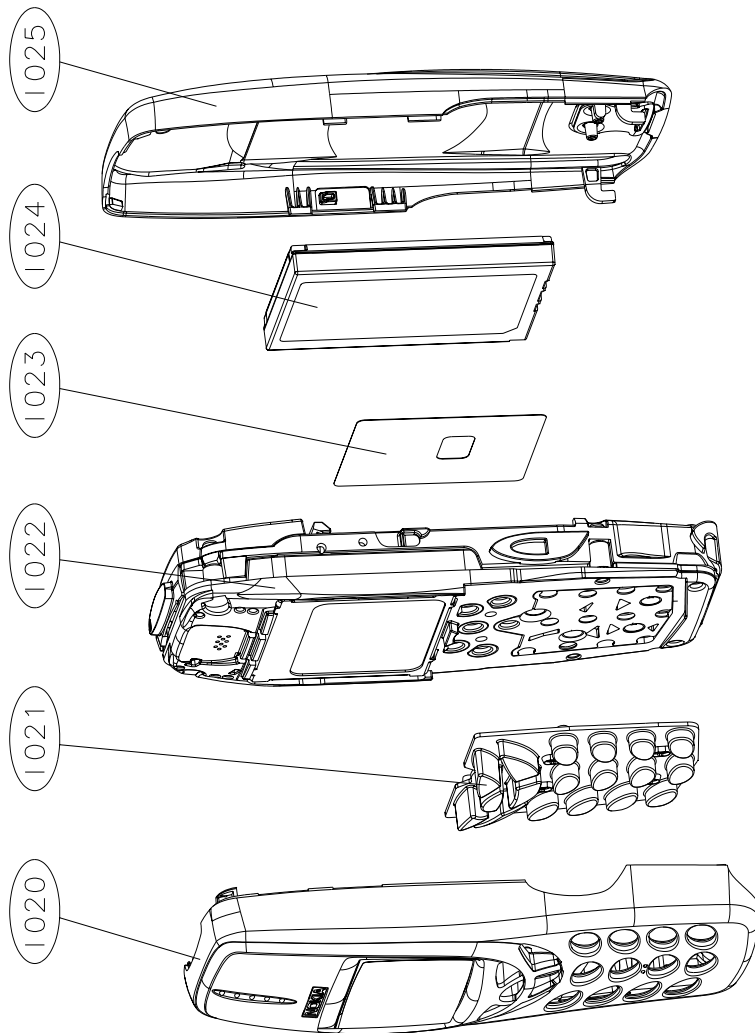
Assembly Parts of the Basic Transceiver NPC-1

EDMS

CIRCUIT REF./

ITEM	Q'TY	CODE	DESCRIPTION	VALUE, TYPE
I001		9480128	C-cover assy (Perlos/Intesys)	DMC02910-EN
I002		5140067	Speaker (Philips)	
I003		9480570	Speaker gasket (Intesys)	DMD06256-EN
I004		4850139	LCD module assy (Seiko)	DMC02760-EN
I004		4850139	LCD module assy (Philips)	DMC02877-EN
I005		5407797	MG elastomer (Seiko, ShinEtsu)	DMD05452-EN
I005		5407803	MG elastomer (Philips, ShinEtsu)	DMD06217-EN
I006		9854439	PWB	DMD05311-EN
I007		5460043	System connector assy (Molex)	SD-91343-003 SD-91343-004
I008		5140201	Microphone assy (Matsuhita/Hoseiden)	DMC02719 & DMC02720-EN
I009		9490264	D-cover assy SB (Eloteq / Yoo Sung)	DMC02594-EN
I010		9451702	D-cover (Perlos/Intesys)	DMD05560-EN
I011		5140203	Buzzer assy (Star)	DMC04025-EN
I012		5409143	Battery connector (Molex)	SD-91360-001
I013		6800053	Vibra assy (Namiki)	DMC02420-EN
I014		9510566	Release spring (AK Stamping)	DMD05608-EN
I015		9451703	IR-window/PWR key (Perlos / Intesys)	DMD05562-EN
I016		9510561	Metal Deck (AK Stamping)	DMD05244-EN
I017		0660221	Antenna assy SB (Allgon)	S39700.1
I018		9451706	Battery latch (Perlos / Intesys)	DMD05561-EN
I019	6	6290093	Screws (Camcar/SFS)	DMD05615-EN

Figure 2: Exploded view of NPC-1NB product variants (Nokia Design)



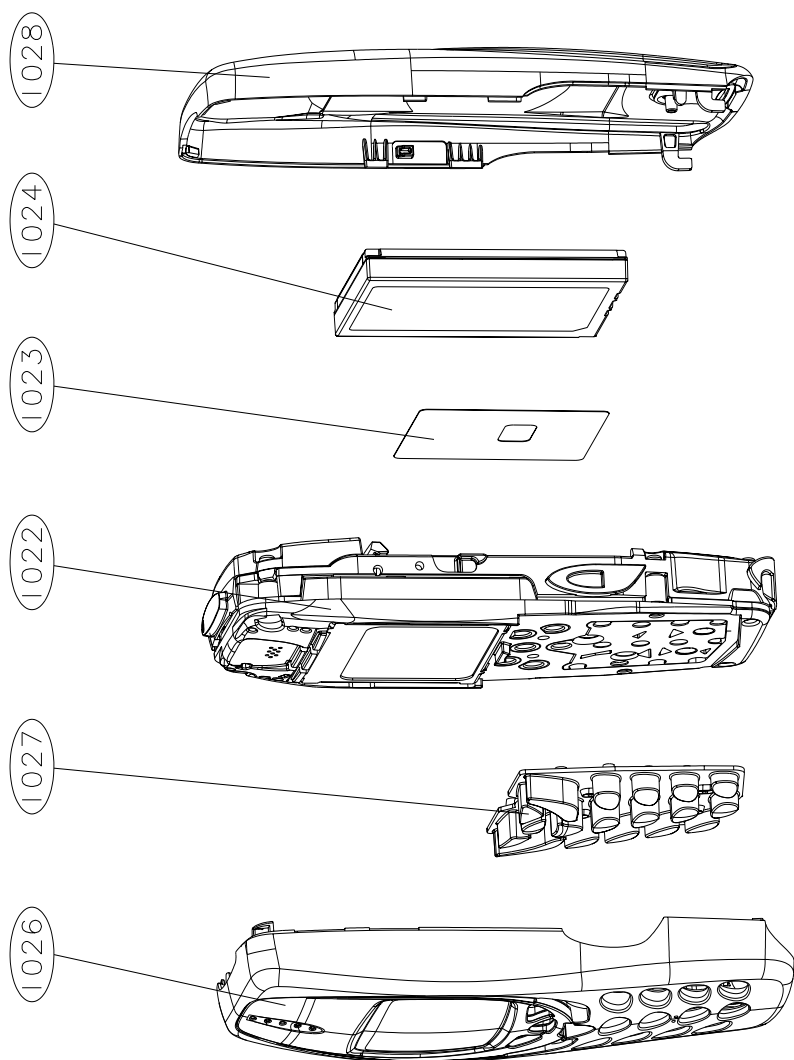
Assembly Parts of NPC-1NB Product Variants (Nokia Design)

EDMS

CIRCUIT REF./

ITEM	Q'TY	CODE	DESCRIPTION	VALUE, TYPE
1020			A-cover assy	DMC03110-EN
		9456940	Navy Blue	Not painted
		9458147	Cingular Techno Blue	Not painted
1021		9790444	Keymat assy (Nokia) (ShinEtsu)	DMC03128-EN
1021		9790515	Keymat assy (Hebrew) (ShinEtsu)	DMC03854-EN
1022		0506165	Basic Transceiver NPW-1(Nokia TMC)	
1022		0504959	Basic Transceiver NPW-1(NMP/Alliance)	
1022		0506166	Basic Transceiver NPW-1(NMP/Reynosa)	
1023		9370583	Typelabel (General)	DMP04504-EN
1024		0670323	Battery BMC-2 (Americas)	DMD05235-EN
1024		0670335	Battery BMC-2 (Brazil)	DMD05235-EN
1024		0670324	Battery BMC-3	DMD05236-EN
1024		0670343	Battery BLC-2	DMD05559-EN
1025		9456825	B-cover assy	DMC03011-EN
		9458148	Cingular Techno Blue	Not painted
		9456946	Navy Blue	Not painted

Figure 3: Exploded view of NPC-1NG product variants (Gradiente design)



Assembly Parts of NPC-1NG Product Variants (Gradiente Design)

EDMS

CIRCUIT REF./

ITEM	Q'TY	CODE	DESCRIPTION	VALUE, TYPE
I026			A-cover assy (Intesys-Metagal)	DMC03110-EN
		9497128	Paradise G. Orange	Painted
		9497129	Orchid G. Purple	Painted
		9490369	Mica G. Purple	Painted
		9490370	Serpent G. Green	Painted
		9490371	Thunder G. Grey	Painted
		9490396	Waterfall G. Blue	Painted
		9490260	Navy Blue	Not painted
I027		9790474	Keymat (Gradiente) (ShinEtsu)	DMC03231-EN
I022		0506065	Basic Transceiver NPC-1(NMP/Manaus)	
I023		9370583	Typelabel (Gradiente)	DMP05083-EN
I024		0670335	Battery BMC-2 (Brazil)	DMD05235-EN
I024		0620285	Battery BMC-3	DMD05236-EN
I024		0670279	Battery BLC-2	DMD05559-EN
I028		9456825	B-cover assy (Intesys-Metagal)	DMC03472-EN
		9490373	Paradise G. Orange	Painted
		9490374	Orchid G. Purple	Painted
		9490375	Mica G. Purple	Painted
		9490376	Serpent G. Green	Painted
		9490377	Thunder G. Grey	Painted
		9490395	Waterfall G. Blue	Painted
		9496959	Navy Blue	Not painted

Product Variants

Some of the existing custom 3320 transceiver variants are listed below:

- 1 0503270 Nokia default english transceiver
- 2 0506315 Nokia default spanish transceiver
- 3 0505859 Bellsouth Chile transceiver
- 4 0505860 Bellsouth peru Subsidy lock transceiver
- 5 0506325 Central America and Caribbean Spanish LTA with subsidy lock transceiver
- 6 0506304 Russia transceiver
- 7 0505858 Telcel Mexico transceiver
- 8 0505861 Chile Telefonica transceiver

Some of the existing customer 3320 Brazilian transceiver variants are listed below:

- 1 0505802 Nokia do Brasil default transceiver
- 2 0503269 Gradiente transceiver
- 3 0506179 Telemig (Telesystem wireless) transceiver
- 4 0506180 Amazonia (Telesystem wireless) transceiver
- 5 0506181 ATL (Algar) transceiver
- 6 0506182 TESS (Telia) transceiver
- 7 0506183 BCP (Bellsouth) transceiver
- 8 0506185 Maxitel (Telecom Italia) transceiver

